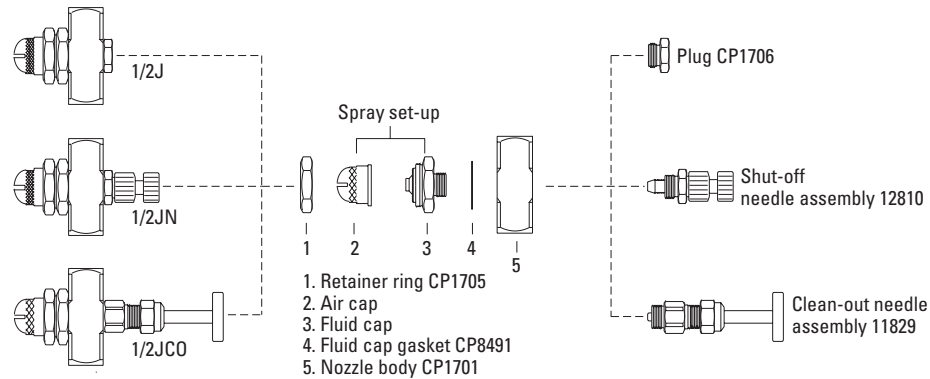
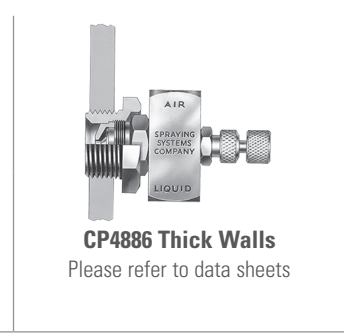
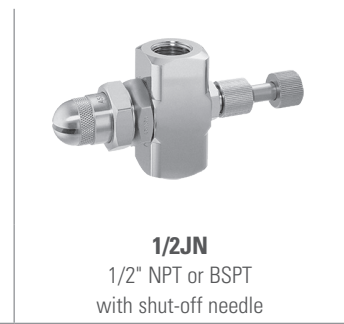


OVERVIEW – 1/2J SERIES



FEATURES AND BENEFITS

- 1/2J air atomizing series ranges in capacity from 4.1 to 306 gph (15.5 to 1158 l/h)
- The nozzles are available with shut-off and clean-out needles
- 1/2J body has liquid and air feeds at opposite ends of the body and is provided with a removable plug so other needle assemblies may be added in the future
- 1/2JN features a manual shut-off needle that enables the flow of liquid to be stopped
- 1/2JCO features a clean-out needle that is activated manually
  - The needle slides through the liquid orifice to clear obstructions
  - Ideal for intermittent spraying applications when liquid can dry in the orifice between uses
- 1/2JBC features the center lines of the air and liquid inlet entering in the back of the nozzle and parallel to the spray projection axis
- 1/2JBCJ features a steam jacket around the nozzle body for spraying liquids that are too viscous to spray at room temperature
- 1/2J–2J is a dual spray assembly with opposing spray set-ups perpendicular to opposing air and liquid inlets
- CP4886 thick wall adapters replace retainer rings on nozzle assemblies and fit into threaded wall openings holding the nozzle securely in place

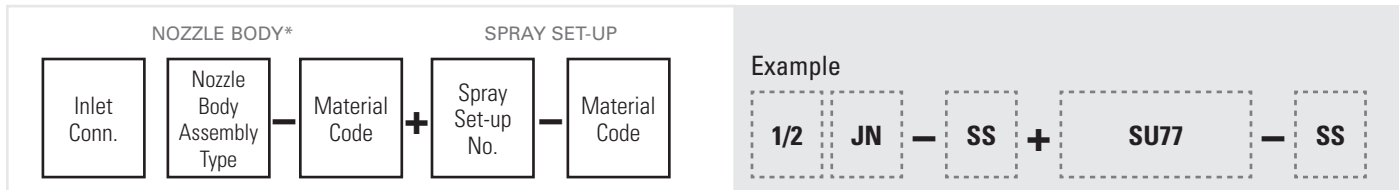


**MATERIALS**

Material	Material Code	Nozzle Type		
		J	JN	JCO
<b>Nozzle Bodies</b>				
Nickel-plated Brass	(none)	●	●	●
303 Stainless Steel	SS	●	●	●
<b>Spray Set-Ups</b>				
Nickel-plated Brass Air Cap and 303 Stainless Steel Fluid Cap	SSBR	●	●	●
303 Stainless Steel	SS	●	●	●

**ORDERING INFO**

**COMPLETE NOZZLE ASSEMBLY**



\*Includes retainer and gasket.

BSPT connections require the addition of a "B" prior to the nozzle body inlet connection. To order Spray Set-Up only, use Spray Set-Up number (shown in performance charts) and material code: SU77 - SS. To order fluid cap only, use fluid cap number (shown in performance data charts) and material code: 250375-SS. To order air cap only, use air cap number (shown in performance data charts) and material code: 422-6-73-70\*.

Contact your local sales engineer for more information.

