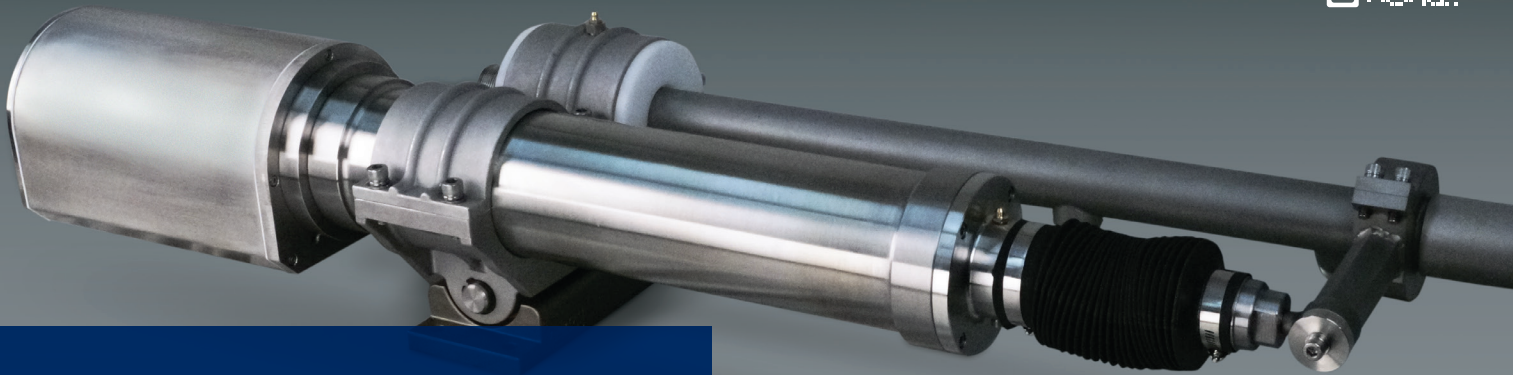




Spraying Systems Co.
Experts in Spray Technology



60030 AC OSCILLATOR SHOWER ASSEMBLY

Oscillator Shower Assembly

PRECISE MOVEMENT ENSURES CONTINUOUS AND UNIFORM FELT CLEANING

The controlled, smooth movement of cleaning showers across the felt from the Oscillator Shower Assembly ensures optimal felt cleaning with minimal water usage. In addition, the assembly is durable, easy to operate, easy to install and can be used with showers from 1-1/2" to 4" pipe sizes up to 40' (12 m) in length.



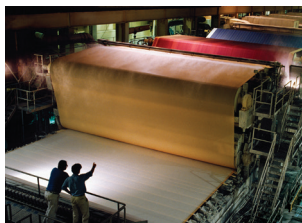
Control Panel

BENEFITS

- Even distribution of water ensure uniform cleaning across the entire felt face
- Users can easily and precisely control stroke and speed; settings can be stored or adjusted on-the-fly. Alarm messages display if the controller detects operational problems
- Operating parameters can be pre-programmed prior to delivery to further simplify set-up
- Durable construction – waterproof design withstands washdown; all wetted parts are constructed of 316 stainless steel
- Easy integration into existing lines
- Integral proximity sensors use closed-loop communication to monitor stroke position and provide system protection
- Minimal maintenance

IDEAL FOR

- Felt cleaning
- Suction roll cleaning
- Screen cleaning



PAWIN Engineering Co., Ltd.
168 อาคาร Axiom 1 ม. 7 ถ. กิ่งแก้ว ต. บางพลีใหญ่
อ. บางพลี จ. สมุทรปราการ 10540

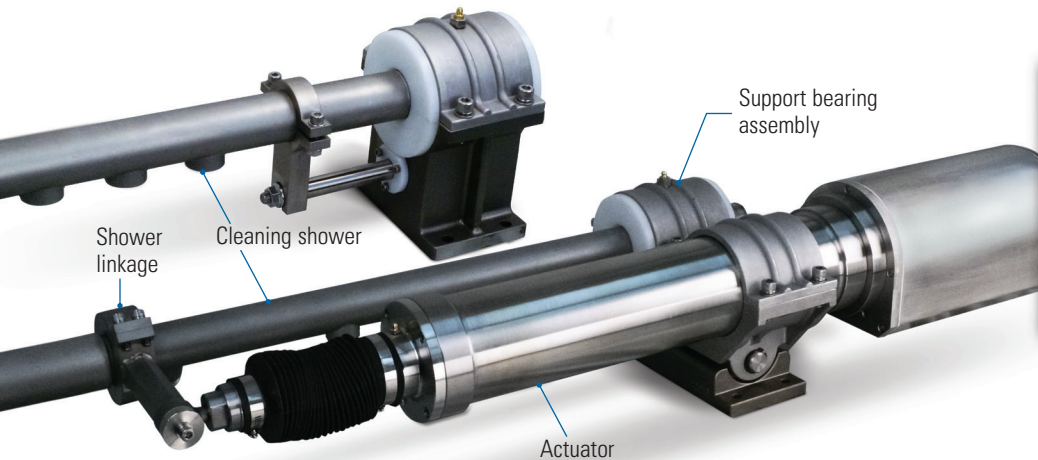


☎ 0-2911-4761-5, 095-365-8530-1

✉ pawin@pawin.co.th

🌐 www.pawin.co.th

60030 AC OSCILLATOR SHOWER ASSEMBLY



Touch screen permits changes to operating parameters without opening the panel. Indicator lights and screen messages display operating status and alarms.

SPECIFICATIONS

The 60030 Oscillator Shower Assembly wetted parts are 316 stainless steel except for PTFE bearings
Stroke range: .79" to 11.8" (20 to 300 mm)
Travel speed: .60" to 4.7" (15 to 120 mm) per minute
Max. actuator force: 1,800 lbs. (8,000 N)
Motor temperature: 86°F to 140°F (30°C to 60°C)
Actuator weight: 132 lbs. (60 kg)
Power: 400W, 110 VAC or 220 VAC, 50 or 60 Hz, single phase
Control panel: 15.75"x 11.81"x 7.87" (400 mm x 300 mm x 200 mm)
Control panel and actuator enclosures: IP65
Noise level: less than 50 dB
System operating temperature and humidity: 41°F to 140°F (5°C to 60°C); relative humidity between 35% and 95%

OPTIONS

Spray interlock automatically shuts off flow to the shower when the oscillator stops moving
Speed interlock provides closed-loop control by linking oscillator speed to paper machine speed (4-20mA)
Facility's DCS can connect directly to the PLC over a Ethernet I/P network for complete monitoring and control of oscillator status, speed, stroke and more
Over-travel protection adds limit switches to guard against actuator over-travel



Spraying Systems Co.
Experts in Spray Technology

North Avenue and Schmale Road, P.O. Box 7900, Wheaton, IL 60187-7901 USA

Tel: 1.800.95.SPRAY Intl. Tel: 1.630.665.5000
Fax: 1.888.95.SPRAY Intl. Fax: 1.630.260.0842

www.spray.com



PAWIN Engineering Co., Ltd.

168 อาคาร Axiom 1 ม. 7 ถ. ซี่งแก้ว ต. บางพลีใหญ่
อ. บางพลี จ. สมุทรปราการ 10540



☎ 0-2911-4761-5, 095-365-8530-1

✉ pawin@pawin.co.th

🌐 www.pawin.co.th

